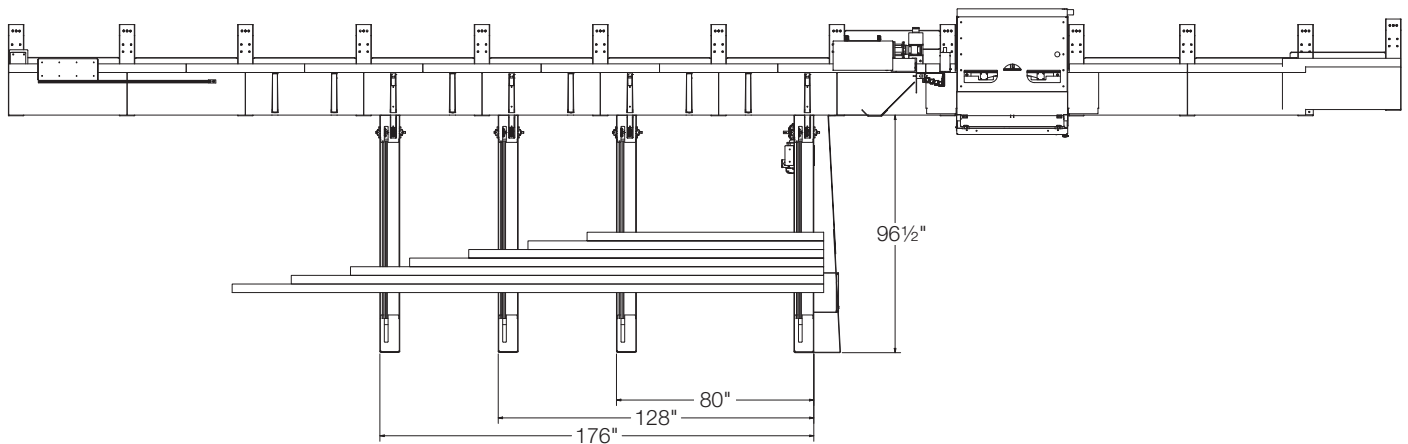
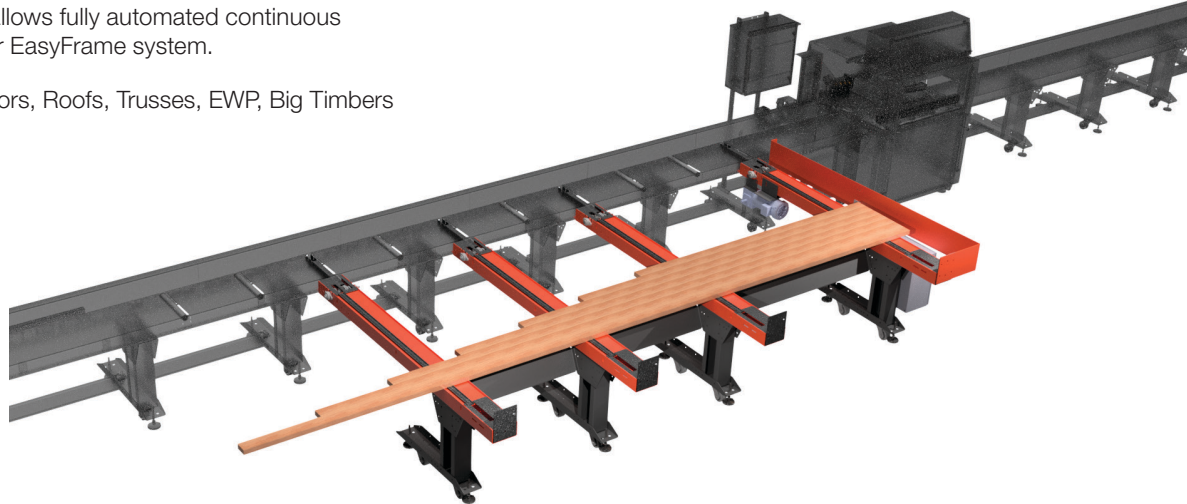


EasyFrame Autoloader



The EasyFrame Autoloader allows fully automated continuous loading that connects to your EasyFrame system.

Compatible with: Walls, Floors, Roofs, Trusses, EWP, Big Timbers



Plan View

Capabilities

Loading	Fully automated continuous loading to connect with your EasyFrame System
Modular Sections	Modular sections can be ordered to accommodate multiple lengths of stock material
Stock Material	For stock material; minimum of 8' and up to 66'
Length	Rail lengths can be customized from 4' to 16'
Stacking	Boards can be stacked up to 4 high

Specifications

Voltage	110 V required
Air Pressure	80 psi
Lubrication	Needed for bearings Quantity depends on how many ordered
Motor	5 hp motor

Let's continue the conversation. Email us at sales@easyframesaw.com or contact your Simpson Strong-Tie Building Technology Representative at (833) 327-9376 to find the right equipment solution for your business.

(833) 327-9376
strongtie.com